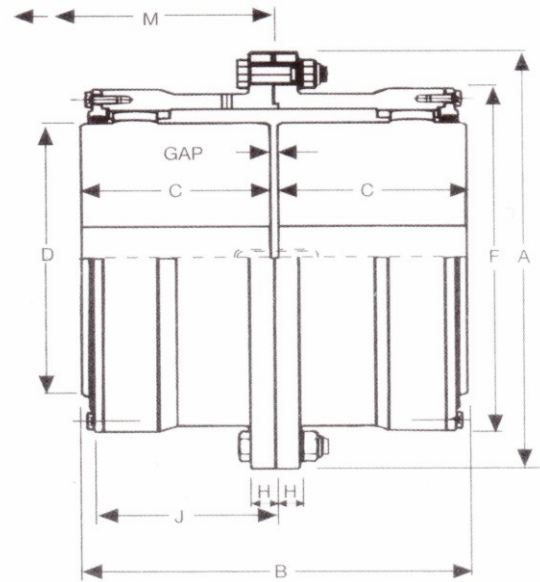


Minimum dimension for aligning and seal removal



The couplings depicted on this page are typical of those we are able to supply. On receipt of full details of customers requirements we shall offer our most suitable product for the application. Full details are available on request.

Size	RATING		Max. Speed RPM <small>(Note 1)</small>	Bore Dia. mm <small>(Note 2)</small>		DIMENSIONS mm <small>(Note 3)</small>									<small>(Note 6)</small>	
	kWper RPM	kNm		Max.	Min.	A	B	C <small>(Note 5)</small>	D	F	H	J	M	Gap	Mass Kg	Inertia Kgm2
10	0.089	0.854	8000	52	16	116	89	43	69	84	14	39	51	3	4.37	0.0052
15	0.201	1.92	6500	65	24	152	102	50	86	105	19	48	61	3	8.96	0.0192
20	0.373	3.56	5600	80	28	178	127	62	105	127	19	60	76	3	14.80	0.0404
25	0.671	6.41	5000	98	35	213	159	77	131	155	22	72	92	5	26.40	0.1050
30	1.12	10.70	4400	115	42	240	187	91	152	181	22	84	106	5	39.60	0.1952
35	1.71	16.40	3900	135	50	279	219	107	178	211	29	98	130	6	65.00	0.4536
40	2.61	24.90	3600	160	50	318	247	121	210	246	29	111	145	6	96.00	0.8594
45	3.58	34.20	3200	180	55	346	278	135	235	274	29	123	165	8	131.00	1.3898
50	4.85	46.30	2900	195	75	389	314	153	254	306	38	141	183	8	186.00	2.5254
55	6.34	60.60	2650	215	75	425	344	168	279	334	38	158	203	8	247.00	3.8292
60	8.20	78.40	2450	235	80	457	384	188	305	366	26	169	228	8	299.00	5.2120
70	11.90	114.00	2150	280	100	527	451	221	356	425	29	196	266	10	473.00	11.0040
80	23	219.65	1750	275	90	590	508	249	385	485	32	243	300	10	682	20.72
90	29	276.95	1550	300	-	660	565	276	420	535	38	265	325	13	898	34.95
100	41	391.55	1450	330	-	711	623	305	470	595	45	294	355	13	1242	55.95
110	53	506.15	1330	360	-	775	681	334	510	640	51	322	385	13	1608	86.14
120	72	687.60	1200	410	-	838	717	352	575	715	54	341	400	13	2072	133.73
130	81	773.55	1075	435	-	911	761	371	615	775	54	360	435	19	2522	189.78
140	104	993.20	920	475	-	965	805	393	670	840	54	378	458	19	3141	273.02
150	121	1155.55	770	510	-	1029	857	419	720	890	54	405	484	19	3750	366.65

- Notes: 1. The maximum speeds specified above are generally based on the limit of the lubricant being used. To attain these speeds a separate balance operation may be necessary depending on the requirements of the application. Special couplings can be supplied for higher speeds or more sensitive applications.
2. Maximum bores specified are for uniformly loaded drives only. See table on page 3 for factors to apply when other than uniform loads are applied.

- Notes: 3. All dimensions are subject to confirmation. General arrangement drawings are available which show certified dimensions.
4. Puller holes can be supplied.
5. Hubs are available with longer boss length.
6. Mass and Inertia are based on solid hubs. All Inertia figures are MR². Multiply this figure by 4 to obtain GD².